

Introduction

The iWD3P zoning system has been installed to improve your comfort by regulating airflow to each zone to maintain the comfort level you set on each zone thermostat. To improve energy usage use higher cooling and lower heating temperatures in spaces that are not being used regularly.

QuickView LED Display

The multi-color LEDs help you determine the status of your zoning system quickly without removing the cover on the zoning panel.

Zone Thermostat LEDs

Heating Request	Red or blinking red.
Cooling Request	Green or blinking green.
Fan ventilation	Yellow.

HVAC LED

Heating	Red or blinking red.
Cooling	Green or blinking green.
Fan ventilation	Yellow or blinking yellow.

Panel LED

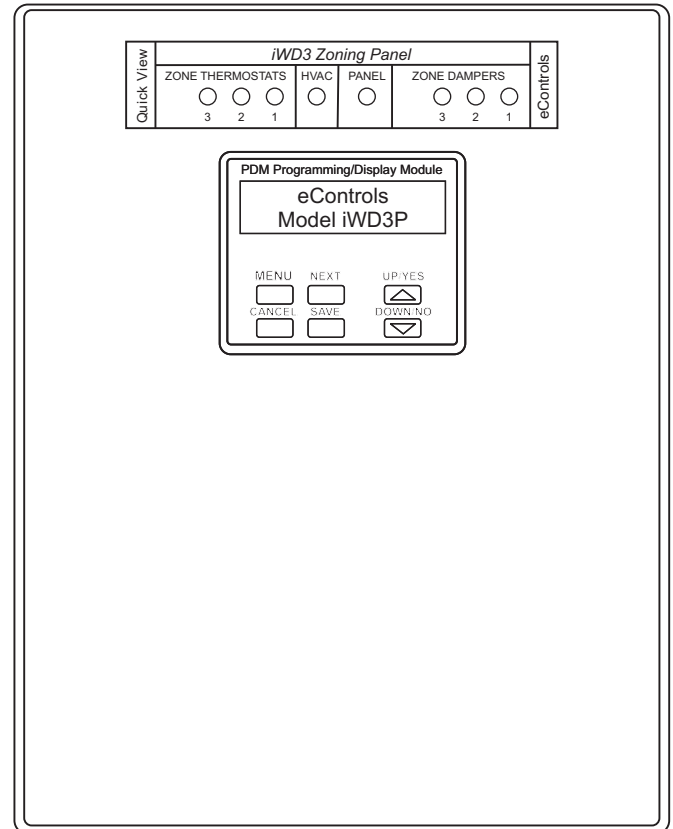
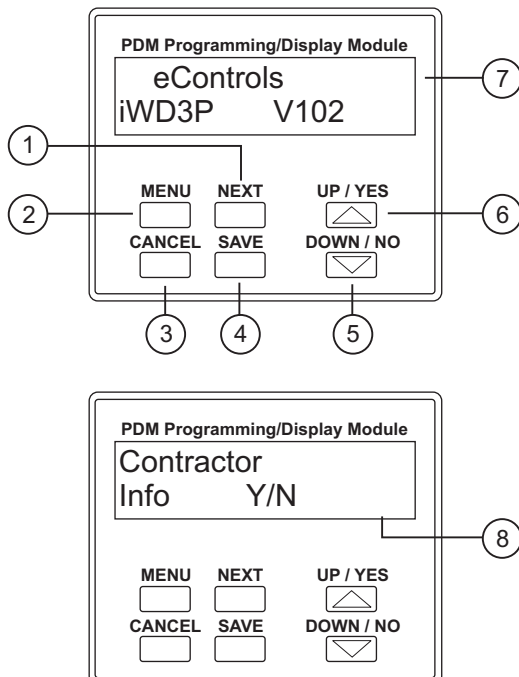
Normal Operation	Blinking Green.
Minor Fault	Blinking yellow.
Major Fault	Off, red or blinking red.

Zone Damper LEDs

Damper closed	Off.
Damper fully open	Green.
Damper partially open.	Blinking green.

Using PDM to Display Information

The PDM is used to select vacation mode, display the contractor's and manufacturer's name and telephone number, error messages and the panel status.



1. The NEXT key is used to navigate through the menu.
2. Momentarily pressing the MENU key displays the first User menu selection.
3. The CANCEL can be used to exit the display menu.
4. Pressing the SAVE key is used to turn the vacation mode on or off.
5. No (N) key is used to navigate through the menu selections or turn the Vacation mode off.
6. Yes (Y) key is used to navigate through the menu selections or turn the Vacation mode on.
7. LCD display normally displays the manufacturer, model number and version.
8. In menu selections the available keys are shown. The Cancel key can be used to exit the menu.

Vacant/Vacation Mode

Vacation or Vacant mode can be used when the building or home is going to be vacant for a period of time. The Zone1 thermostat will now control all the zones and the HVAC equipment. Change the Zone1 thermostat to Hold mode if it is a programmable thermostat and set energy efficient heating and cooling temperatures.

The vacation or vacant mode can be controlled by the PDM on the panel or by an SW01 Occupied/Vacant switch if it is installed. The SW01 will override the PDM vacation/vacant mode selection.

Turning Vacation Mode On Using the PDM

Press the Menu key and the Vacation screen is shown. Press the Yes key to turn the Vacation mode on or press No to turn the Vacation mode off. Press SAVE to store your selection.

eControls iWD3P V102
MENU
Vacation Off Mode Y/NEXT/SAVE
Y
Vacation On Mode N/NEXT/SAVE

If Vacation Mode is On

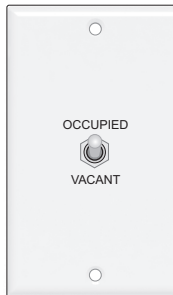
The Vacation On screen will remain displayed when in Vacation mode. Press the No key to turn the Vacation mode off and press the SAVE key to store your selection.

Vacation On Mode N/NEXT
N
Vacation Off Mode Y/NEXT

Turning Vacation Mode On Using the SW01

Set the switch to vacant at the end of the day and the zoning panel will go into Vacant mode using only the Zone1 thermostat to control the equipment. Set the switch to Occupied mode at the start of the day.

Model SW01



Display Manufacturer Info

Press the MENU key and then the NEXT key to display the Manufacturer Info screen and then press Yes to display the information. The manufacturer's name and telephone number is displayed. Press NEXT to display the Display Contractor Info screen.

eControls iWD3P V102
MENU
Vacation Off Mode Y/NEXT
NEXT
Manufacturer Info Y/NEXT
Y
eControls, Inc. 949 916 0945 NXT
NEXT

Display Contractor Info

Press Yes to display the contractor information. The contractor's name and telephone number is displayed if it was entered at installation. Press NEXT to display the Display Error Message screen.

Contractor Info Y/NEXT
Y
Best AC 555 111 2222 NXT
NEXT

Display Error Message

Press Yes to display any error messages. The examples show no error messages and a short in the supply air temperature sensor. Press NEXT to display the Display Status screen.

Display Error Message Y/NEXT
Y
No Error Message NEXT
SA Sensor Short NEXT
NEXT

Display Status

Press Yes to display the Display HVAC Status screen. Press NEXT to return to the main menu.

Display Status Y/NEXT
Y

Display HVAC Status

Press Yes to display the HVAC status. The example shows the HVAC system is in first stage heating. Press NEXT to display the Display Zone Status screen.

Display HVAC Status Y/NEXT
Y
Heating Stg1 NEXT
NEXT

Display Zone Status

Press Yes to display the status of each zone thermostat. The example shows Zone1 requesting stage 1 heating, Zone2 with no request and Zone3 requesting stage1 heating. After displaying the last zone thermostat, Press NEXT to display the status of each zone damper.

Display Zone Status Y/NEXT
Y
Zone 1 Heat1 NEXT
NEXT
Zone 2 No Call NEXT
NEXT
Zone 3 Heat1 NEXT
NEXT

Display Zone Damper Status

Press Yes to display the status of each zone thermostat. The example shows Zone1 damper open, Zone2 damper closed and Zone3 damper open. After displaying the last zone damper, Press NEXT to display the Display Sensor Temps screen.

Display Damper Status Y/NEXT
Y
Damper 1 Open NEXT
NEXT
Damper 2 Closed NEXT
NEXT
Damper 3 Open NEXT
NEXT

If Modulating Dampers Are Used for Bypass

If modulating dampers are being used for bypass, the screen will show the percent a damper is partially open.

Damper 2 16% NEXT

Display Sensor Temperatures

Press Yes to display the sensor temperature readings if your system uses sensors. The example shows the system Discharge Air Temperature is 134°F and the Outdoor Temperature is 42°F. Press NEXT to return to the main menu.

Display Sensor Temps Y/NEXT
Y
SAT 134 ODT 42 NEXT
NEXT

Limited 5-Year Warranty

The 5-year warranty is limited to the repair or replacement of defective product due to parts failure or defective workmanship.

eControls

eControls, Inc.
26072 Merit Circle #110 / Laguna Hills, CA 92653
949-916-0945 Fax 949-458-8502 www.iZoneUS.com