

Application

Used to monitor leaving or discharge air temperature.

Compatible Products

All zoning panels.

Sensor Element

10K Thermistor, 1%.

Sensor Tube

Stainless Steel, 6 inches long.

Housing

Plastic, White ABS.

Marking

Pad printed, black.

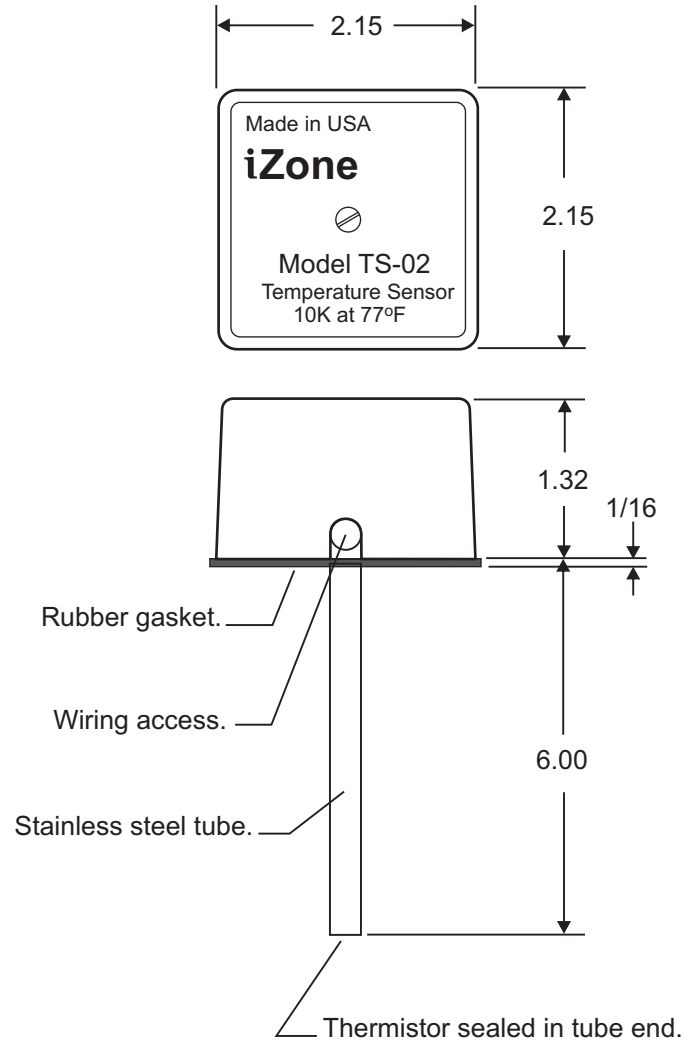
Installation Hardware

Included.

Operating Temperatures

-20 to 175°F.

Temperature	Resistance
-20°F	179K
-10°F	126K
0°F	89.7K
10°F	64.7K
20°F	47.4K
30°F	35.1K
40°F	26.4K
50°F	20.0K
60°F	15.3K
70°F	11.9K
77°F	10.0K
80°F	9.30K
90°F	7.34K
100°F	5.84K
110°F	4.68K
120°F	3.79K
130°F	3.08K
140°F	2.53K
150°F	2.08K
160°F	1.73K
170°F	1.45K



SUBMITTAL FORM

Model: TS2

Quantity:

Date:

Job:

Location:

Architect:

Engineer:

Contractor:

Buyer:

PO#: