

Damper Sizes

4 to 20-inch diameters.

Damper Shell

24 gage, spiral wrapped, galvanized steel.

Blade

Dual, 26 gage, galvanized steel blades with neoprene sandwiched gasket.

Damper Actuator

Modulating or power open/close.

LED Indicators

Red LED indicates fully closed, green LED indicates fully open.

Wiring

Use 25-foot RJ11 cable supplied with damper.

Power

24VAC, 2.4VA .

Operating Temperatures

-20 to 175°F.

Features

Heavy duty, spiral wrapped damper shell.

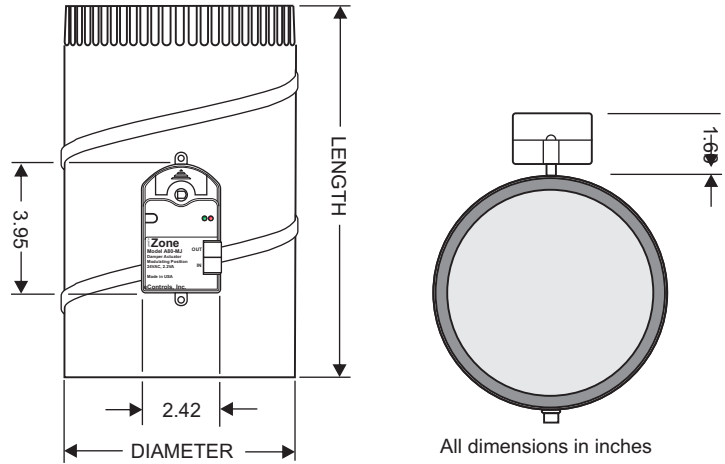
Dual, formed blades with neoprene gasket sandwiched between blades for efficient airflow when open and low leakage when closed.

80 in-oz of torque.

Modulating or open/close operation.

LED indicators for open and close position.

Plug and play connection using RJ11 cable furnished with damper.



SUBMITTAL FORM

Part Number	Diameter	Length	Quantity
R80J-04	4-inch	10-inch	
R80J-05	5-inch	10-inch	
R80J-06	6-inch	10-inch	
R80J-07	7-inch	10-inch	
R80J-08	8-inch	10-inch	
R80J-09	9-inch	10-inch	
R80J-10	10-inch	12-inch	
R80J-12	12-inch	14-inch	
R80J-14	14-inch	16-inch	
R80J-16	16-inch	18-inch	
R80J-18	18-inch	20-inch	
R80J-20	20-inch	22-inch	

Date: _____

Job: _____

Location: _____

Architect: _____

Engineer: _____

Contractor: _____

Buyer: _____

PO#: _____