

Damper Sizes

10 to 20-inch diameters.

Damper Shell

24 gage, spiral wrapped, galvanized steel.

Blade

Dual, 26 gage, galvanized steel blades with neoprene sandwiched gasket.

Damper Actuator

Includes internal pressure sensor that monitors the duct pressure.

LED Indicators

Red LED indicates fully closed, green LED indicates fully open.

Wiring

Use 25-foot RJ11 cable supplied with damper.

Power

24VAC, 2.4VA .

Operating Temperatures

-20 to 175°F.

Features

Heavy duty, spiral wrapped damper shell.

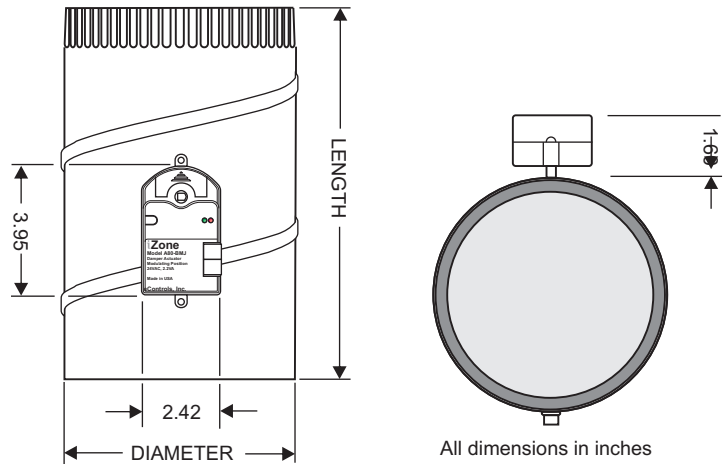
Dual, formed blades with neoprene gasket sandwiched between blades for efficient airflow when open and low leakage when closed.

80 in-oz of torque.

Modulating or open/close operation.

LED indicators for open and close position.

Plug and play connection using RJ11 cable furnished with damper.



SUBMITTAL FORM

Part Number	Diameter	Length	Quantity
BPR80J-10	10-inch	12-inch	
BPR80J-12	12-inch	14-inch	
BPR80J-14	14-inch	16-inch	
BPR80J-16	16-inch	18-inch	
BPR80J-18	18-inch	20-inch	
BPR80J-20	20-inch	22-inch	

Date: _____

Job: _____

Location: _____

Architect: _____

Engineer: _____

Contractor: _____

Buyer: _____

PO#: _____