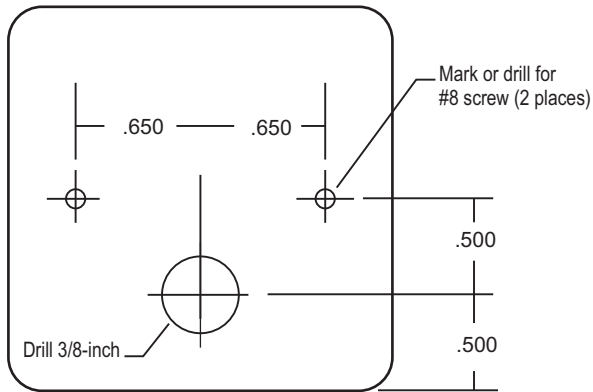


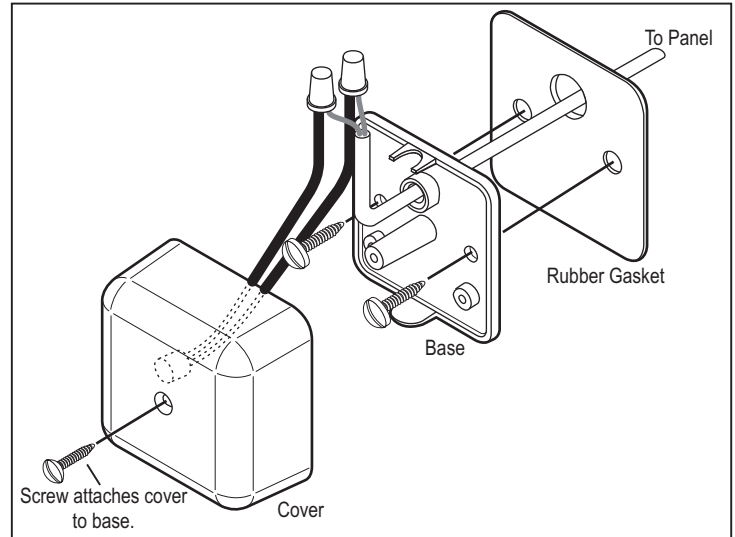
The TS3 is used to monitor outdoor temperature and is installed outdoors and out of direct sunlight.

1. Select an appropriate location and drill a 3/8-inch hole for wiring access.
2. With the two screws provided attach the base to the wall with the optional rubber gasket between the wall base. Center the hole in the base over the drilled hole. Note the wiring flange on the base is positioned at the bottom.



DRILL TEMPLATE

3. With the wire nuts provided, attach the two sensor wires to a two-wire thermostat cable and pass the cable through the 3/8-inch hole drilled in the wall.
4. Attach the cover to the base with the screw. Be sure the wire access opening is at the bottom of the cover.



**eControls**

eControls, Inc. 26072 Merit Circle #110 / Laguna Hills, CA 92653  
949-916-0945 Fax 949-458-8502 www.iZoneUS.com