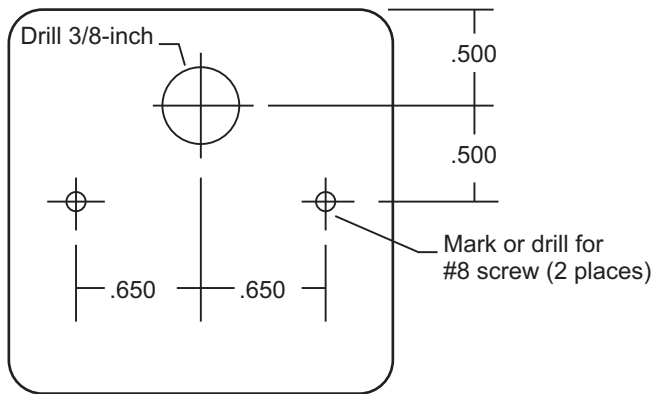


The TS2 can be used as a supply (discharge) or outdoor air temperature sensor. When used to monitor discharge air temperature, install the sensor in the plenum or supply air duct. The stainless steel tube should protrude into the plenum or duct so that it senses the temperature of the air.

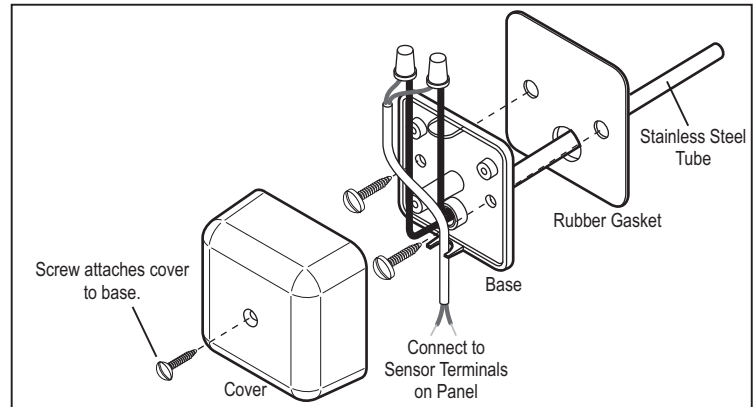
When used as an outdoor temperature sensor, drill a hole in an exterior wall and pass the stainless steel tube through the hole. Be sure the end of the tube is in the shade. Seal the tube on the outside to prevent water damage.

1. Select an appropriate location and drill a 3/8-inch hole for the stainless steel tube.



DRILL TEMPLATE

2. With the two screws provided attach the base to the plenum or duct with the optional rubber gasket between the base and plenum or duct. Slip the tube through the hole and attach the base to the duct or plenum. Be sure the wiring access hole is at the bottom.
3. With the wire nuts provided, attach the two sensor wires to a two-wire thermostat cable and pass the cable through the U-shaped channel at the bottom of the base.
4. Attach the cover to the base with the screw. Be sure the wire access opening is at the bottom of the cover.



**eControls**

eControls, Inc. 26072 Merit Circle #110 / Laguna Hills, CA 92653  
949-916-0945 Fax 949-458-8502 [www.iZoneUS.com](http://www.iZoneUS.com)