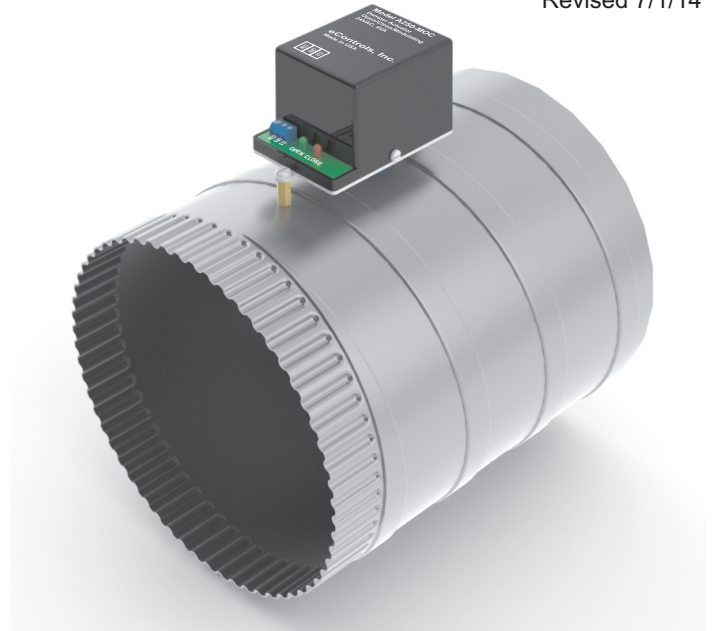


The CRDA250 damper is designed for commercial installations with higher duct pressures and larger dampers. The CRDA250 uses a modulating actuator with 250 in-oz of torque.

The damper can be accurately modulated to any position. When used with the iWD3P zoning panel, the non-calling zone dampers can be opened just enough to bypass excess airflow and maintain acceptable duct pressure without installing bypass duct and a barometric damper.

The actuator uses a heavy duty, 24VAC and provides years of quiet and reliable operation.

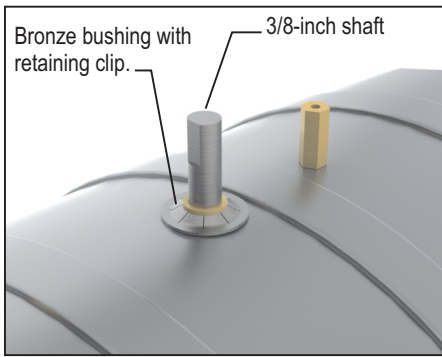


- Power open, power close or modulating operation.
- 250 in-oz of torque.
- LED indicators for fully open and fully closed position.
- Adjustable closed position.
- 3/8-inch diameter shaft with bronze bushings for quiet and reliable operation.
- Dual damper blades with sandwiched, rubber gasket for efficient airflow.
- Retaining clips on both ends of the shaft prevent shaft from dis-lodging from the bronze bushings and adds strength.
- 24VAC, 4VA operating, 1VA holding.
- 2 inches H<sub>2</sub>O maximum static pressure.

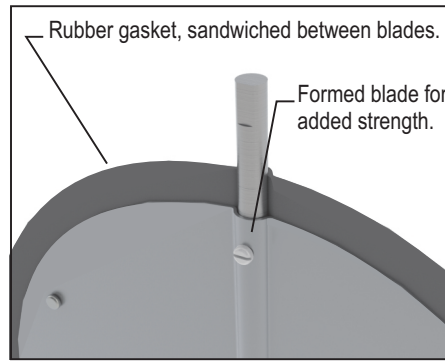
Diameter	CFM at 1000 FPM	CFM at 1500 FPM	CFM at 2000 FPM	CFM at 2500 FPM
6-inch	196	295	393	491
8-inch	349	524	698	873
9-inch	442	663	884	1104
10-inch	545	818	1091	1364
12-inch	785	1178	1571	1964
14-inch	1069	1604	2138	2673
16-inch	1396	2094	2793	3491
18-inch	1767	2651	3534	4418
20-inch	2182	3273	4363	5454
22-inch	2640	3960	5280	6600
24-inch	3142	4712	6283	7854

### Ordering Information

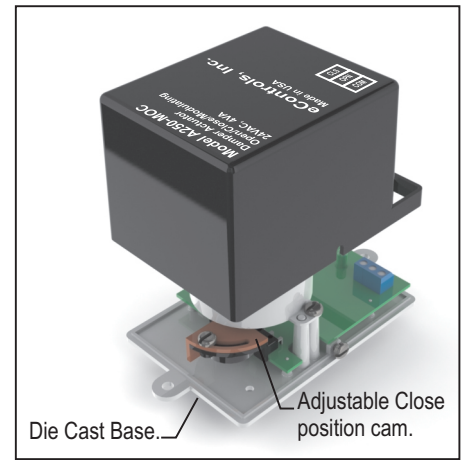
Model Number	Description
CRDA250M-006	Commercial Damper, 6-inch diameter.
CRDA250M-008	Commercial Damper, 8-inch diameter.
CRDA250M-009	Commercial Damper, 9-inch diameter.
CRDA250M-010	Commercial Damper, 10-inch diameter.
CRDA250M-012	Commercial Damper, 12-inch diameter.
CRDA250M-014	Commercial Damper, 14-inch diameter.
CRDA250M-016	Commercial Damper, 16-inch diameter.
CRDA250M-018	Commercial Damper, 18-inch diameter.
CRDA250M-020	Commercial Damper, 20-inch diameter.
CRDA250M-022	Commercial Damper, 22-inch diameter.
CRDA250M-024	Commercial Damper, 24-inch diameter.



The damper uses bronze bushings for long life and quiet operation. A retaining clip insures the shaft cannot slip out of the bushings and adds strength to the damper.



The blade consists of two metal blades with a neoprene gasket sandwiched between the blades. The blades are formed for the shaft to add greater strength.



The cover can be removed by loosening the two screws to expose the adjustable close position cam. To adjust the close position from fully closed to about 50% closed, loosen the screw, rotate the cam clockwise and tighten the screw.

## Specifications

### Actuator

A250-MOC included.

### Damper Operation

Modulating or Power Open/Close.

### Output Torque

250 in-oz

### Input Control

24VAC applied to OPN or CLS terminal.

### Compatible Zoning Panels

Any zoning panel with 24VAC damper control outputs.

### Operation Time

Fully opens in approximately 7.5 seconds.

### LED Indicators

Green LED indicates fully open and red LED indicates fully closed.

### Electrical Power

24VAC, 4VA operating and .7VA holding.

### Damper Shell

24 gage, spiral wrapped, galvanized steel.

### Damper Blade

Two 26 gage, galvanized steel blades with rubber gasket sandwiched between blades. Blades have U-groove for added strength.

### Wiring

Connect 18 gage thermostat wire from the three terminals on the actuator to the corresponding terminals on the zoning or expansion panel.

### Air Leakage, Damper Closed

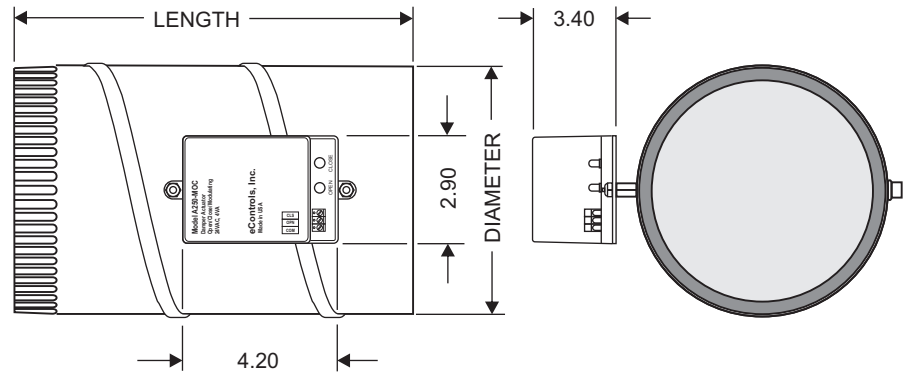
Less than 1.5% within duct and less than 0.25% external leakage.

### Temperature, Operating

-20° to 175°F.

### Maximum Static Pressure

2.0 inch H<sub>2</sub>O.



All dimensions in inches

Model Number	Diameter	Length	Blades	Shell
CRDA250M-006	6-inch	10-inch	26 gage	24 Gage
CRDA250M-008	8-inch	10-inch	26 gage	24 Gage
CRDA250M-009	9-inch	10-inch	26 gage	24 Gage
CRDA250M-010	10-inch	12-inch	26 gage	24 Gage
CRDA250M-012	12-inch	14-inch	26 gage	24 Gage
CRDA250M-014	14-inch	16-inch	26 gage	24 Gage
CRDA250M-016	16-inch	18-inch	26 gage	24 Gage
CRDA250M-018	18-inch	20-inch	26 gage	24 Gage
CRDA250M-020	20-inch	22-inch	26 gage	24 Gage
CRDA250M-022	22-inch	24-inch	26 gage	24 Gage
CRDA250M-024	24-inch	26-inch	26 gage	24 Gage

### 5-Year Warranty

All products have a 5-year warranty, limited to the repair or replacement of the product due to defective material or workmanship.